

A320B Mobile Hoist

PRISM MEDICAL UK



Introduction.....	2
Overview.....	2
Components of the Floor Hoist	3
Component List.....	4
Specifications.....	5
Cautions.....	6
Assembly Instruction	7
Operation	
Charging.....	14
Start.....	14
Forward movement.....	15
Turning.....	15
Leg Adjustment.....	16
Raising and Lowering Boom.....	16
Casters and Braking.....	16
Basics in transferring an individual.....	17
Emergency Stop & Lowering.....	19
Control Box-Usage Information.....	20
Control Box-Service Information.....	21
Technical Specifications	22
Do's and Don'ts	24
Fault finding.....	25
General inspection and maintenance.....	26
Points of Attachment - Checklist	27
Service record history.....	28
Warranty.....	32

Owner's Manual

Use and Care
Trouble Shooting
Warranty Information

PRISM MEDICAL UK



Prism Medical UK
Unit 4 Jubilee Business Park
Jubilee Way
Grange Moor
Wakefield
WF4 4TD

Tel: 0844 980 2260
Fax: 0844 980 2261
Website: www.prismmedical.co.uk



CAUTION: DO NOT ATTEMPT TO USE THIS EQUIPMENT WITHOUT FIRST UNDERSTANDING THE CONTENTS OF THIS MANUAL.

Introduction

Before using this equipment, and to ensure the safe operation of your **A320B Mobile hoist**, carefully read this entire manual, especially the section on “**Cautions**”. The **A320B** is designed to be used in conjunction with Prism Medical accessories and slings. Please refer to any user guides supplied with these components and refer to them while reviewing this manual.

Should any questions arise from reviewing this manual contact your local authorized Prism Medical Representative. Failure to comply with warnings in this manual may result in injury to either the operator, or the individual being lifted/transferred. Damage to the floor hoist and/or related components may also occur. Be sure that the contents of this manual are completely understood prior to using this floor hoist.

Store this manual with the documents included with the floor hoist and sling (s). Contents of this manual are subject to change without prior written notice.

Overview of A320B Mobile hoist

The **A320B** is a lifting aid used by health care professionals to transfer clients. The floor hoist makes it possible to move mobility impaired individuals with minimal strain or risk to the caregiver, while providing complete safety, dignity and comfort for the client.

The **A320B Mobile hoist** is one of two components that make up this technology. The other component, the sling, is a specially designed fabric accessory that attaches to the floor hoist by means of a carry bar and straps, and holds an individual while the lift, or transfer takes place. The sling is generally supplied with the floor hoist at the initial time of purchase. Please refer to any user guides supplied with the sling and reference them while reviewing this manual.

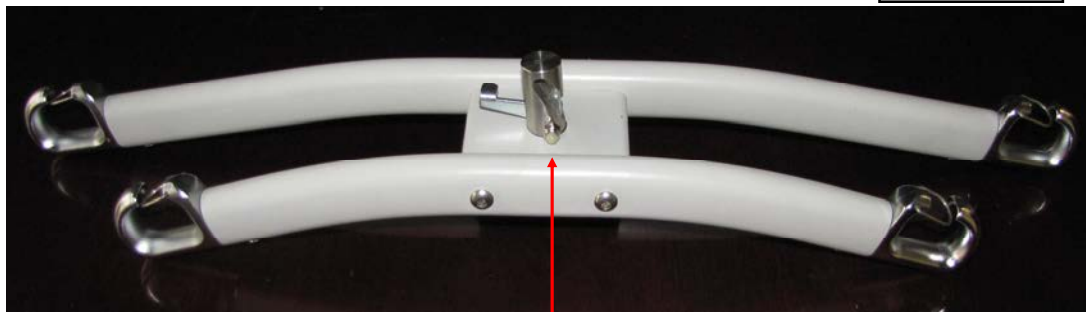
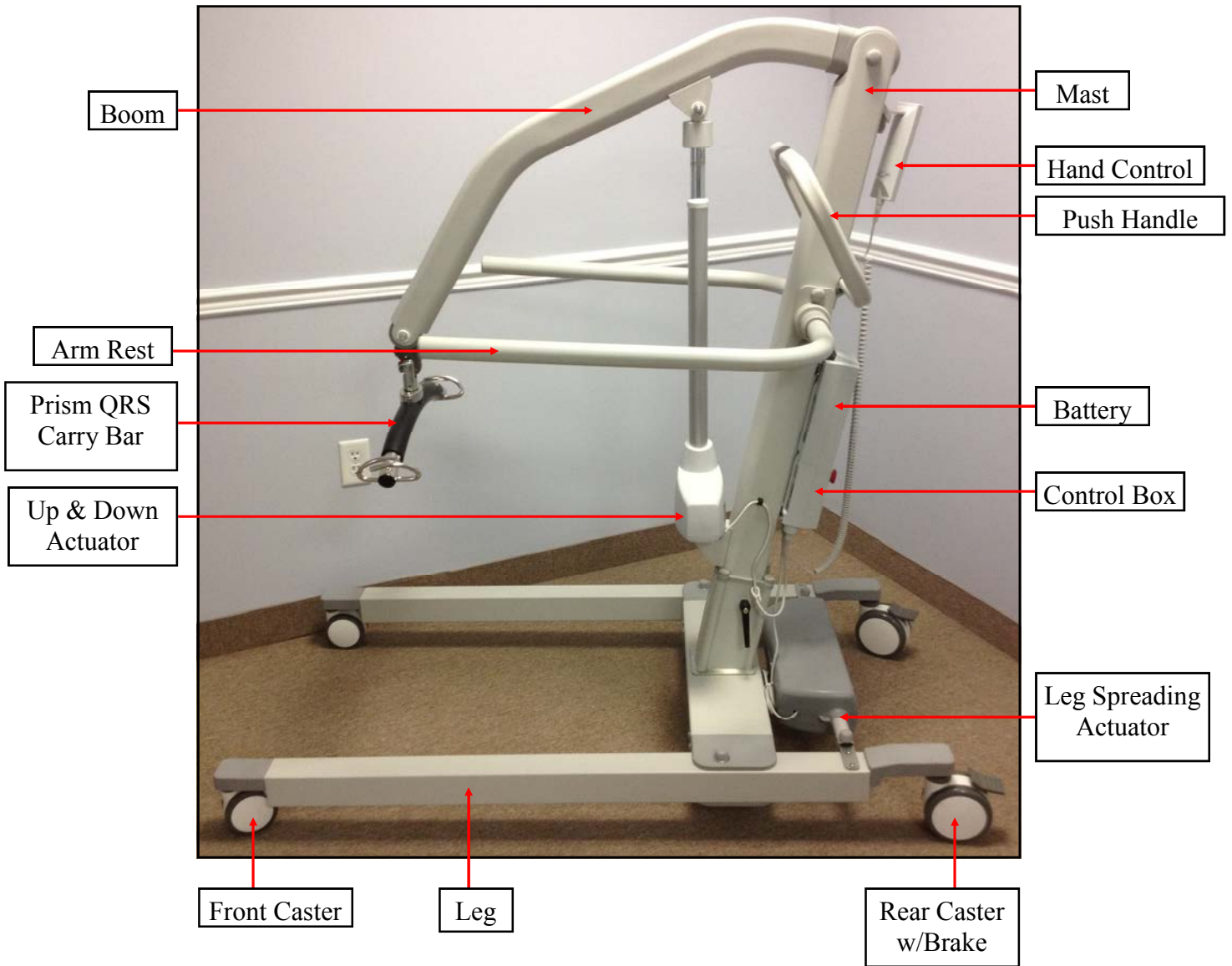
The **A320B** has the ability to lift an individual up from one location such as bed, then move the individual to another location and finally lower the individual into a chair or bath. The functions of lifting up or down, or opening and closing the legs on the hoist, are accomplished by pressing buttons on the hand control. The hand control is attached to the floor hoist. Due to the design of the floor hoist system, it takes very little effort to press a button to perform the desired motion.

Please familiarize yourself with the components of the **A320B Mobile hoist** by referring to the diagram on the next page.

Following models are available for **A320B floor hoist**.

Models Table for A320B Floor Hoist	
Product Code	Product Description
280400	A320B - Bariatric Alloy 318Kg (700 lbs).
280401	A320B - Bariatric Alloy 318kg (700 lbs). w/Prism QRS Carry Bar

Components of the A320B Floor hoist



4 Point QRS Locking Carry Bar

Component List

The following components are included with your new **A320B Mobile hoist** system:

- A320B Mobile hoist
- Hand Control
- Floor hoist Integrated Charger
- Charger Cord
- Owner's Manual
- Multi Function Wrench



- 5 mm Hex Allen Key (Short Arm)



- 4 mm Hex Allen Key (Short Arm)



- 3 mm Hex Allen Key (Short Arm)



SLINGS: If a sling has been supplied with floor hoist, then pl. refer to the instructions included with the sling.

ACCESSORIES: If additional accessories such as a weigh scale have been supplied with the floor hoist, then pl. refer to the instructions included with those items.

IMPORTANT: Before initial use, the floor hoist unit must be charged for 4 to 5 hours. Refer to section titled “**Charging Instructions**”. The Hand control must also be connected to the floor hoist. If it is not connected, then pl. refer to the section titled “**Assembly Instructions**”.

Technical Specifications– A320B

(A) Dimensions and Weight - A320B hoist

Specification	A320B
Maximum weight capacity	700 lbs. (318 kg.)
Maximum lifting height (See lifting height setting, see “Assembly”, page 8)	76.4 inches (194 cm)
Minimum lifting height (See lifting height setting, see “Assembly”, page 8)	25.2 inches (64 cm)
Height to top of legs	6.1 inches (15.5 cm)
Clearance from bottom of legs to floor	3.3 inches (8.5 cm)
Overall length	59 inches (150 cm)
Distance inside the legs (min.)	25.2 inches (64 cm)
Distance inside the legs (max.)	41.9 inches (106.5 cm)
Distance outside the legs (min.)	30.1 inches (76.5 cm)
Distance outside the legs (max.)	46.8 inches (119 cm)
Reach at maximum height	18.9 inches (48 cm)
Reach at minimum height	17.8 inches (45.3 cm)
Maximum Reach-Distance between center of carry bar to front of the mast	27.2 inches (69.1 cm)
Turning radius	62.8 inches (159.5 cm)
Wheels (dual-wheel castors)	Front – 4” (101 mm)
	Rear – 5” (127 mm) w/brake
Weight of hoist	140.8 lbs (64 kgs)
Total Shipping Weight: WGS Box	172 lbs (78 kgs)

(B) Electrical Specifications - A320B hoist

Lift Motor:	24 VDC, 9.7 Amps Max.
Charger Input:	100-240 VAC, 50-60 Hz, 0.4 Amps Max, Class 2, IPX4
Charger Output:	24 VDC, 0.65 Amps
Batteries:	24 VDC (2 x 12 VDC) 2.9 Ah, Sealed Lead Acid
Hand Control:	Electric, IPX4
Lifting Range:	21.3” to 72.5” (for Lowest Mast Setting)
Hoist Weight:	140.8 lbs.
Maximum Load:	Standard maximum load 700 lbs.
Duty Cycle:	10% use, 90% rest
Rated Performance:	30 lifts at 700 lbs., 10% duty cycle.

Maximum load of the installed floor hoist is determined by referring to the product label located on side of floor

Shipping/Storage Conditions:

Temperature: -40 to +70 °C
 Relative Humidity: 10 to 100% RH
 Atmospheric Pressure: 500 to 1060 hPa

Normal Operating Conditions:

Temperature: +10 to +70 °C
 Relative Humidity: 30 to 75% RH
 Atmospheric Pressure: 700 to 1060 hPa



Cautions:

- Under no circumstance should the **A320B Mobile hoist** and sling (s) be put in control of a person who has not been properly trained in the use and care of this equipment. Failure to adhere to this warning may result in serious injury to the operator, and/or the individual being lifted/ transferred.
- The **A320B Mobile hoist** and sling (s) are not toys. Do not use it for unsafe practices. Do not allow children to play with the floor hoist or any of its components.
- The manufacturer's warranty is voided if persons unauthorized by Prism Medical Ltd. will perform work on the **A320B Mobile hoist**.
- There are no user serviceable parts inside the actuator. Do not remove cover screws, or open the unit, as this will **VOID THE WARRANTY**.
- In facilities where more than one operator will be responsible for using the **A320B** and sling (s), it is imperative that all such members are to be trained in its proper use. A training program should be established by the facility to acquaint new operators with this equipment.
- Never expose the **A320B Mobile hoist** directly to water. Warranty does not cover any misuse or abuse of the floor hoist system.
- To maintain optimum function, the **A320B** should be inspected and maintained on a regular basis. See the section titled “**General Inspection and Maintenance**”.
- Any accessories used with the **A320B** including sling (s), should be checked to ensure that they are in good working order. Check for signs of wear or fraying prior to use. Report any unusual wear, or damage immediately to your local authorized Prism Medical Service Provider.
- The **A320B Mobile hoist** and associated sling (s) are intended **only** for lifting and transferring of a person. Prism Medical will not be responsible for any damage caused by the misuse, neglect or purposeful destruction of the hoist, and/or its associated components.
- In any circumstances do not exceed the maximum allowable load of this hoist. Refer to the “**Specifications**” section of this manual, and/or the labels on the side of the hoist.
- There is a risk of explosion if the hoist is used in the presence of flammable anaesthetics.
- Ensure that a clear space is maintained around the hoist. Move any obstacles out of the way before operating the floor hoist.

Assembly Instructions:

1. Place the Carton/Packaging box in a clear working area, open carefully, and remove following items and place on the floor, taking care to protect the finish from damage.
 - Mast with Boom assembly
 - Base Assembly with Legs attached
 - Battery Pack, and Charging Power Cord
 - Hand Control
 - Tool Kit
 - User Manual, and Test Certificate



**Caution: Hoist parts are heavy, and will need to be lifted with care.
Heavier items may need two people for assembly.**

2. Place the Base with legs attached on the floor, and lock both rear casters as shown in Figure 1.



Figure 1

3. Place the Mast with Boom assembly upright in the tube on the Base assembly as shown in Figure 2.



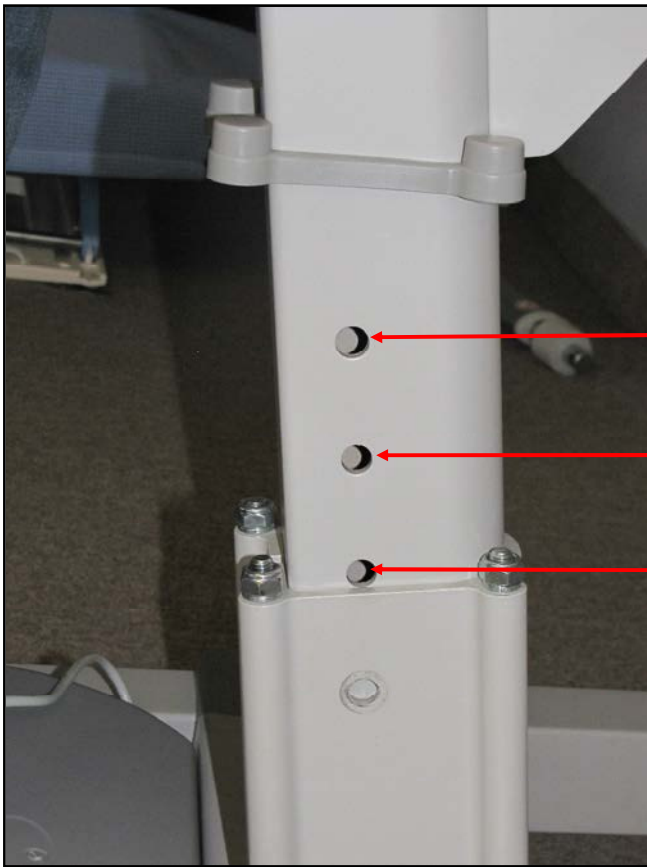
Figure 2



Caution: Possible finger trap. Keep fingers away from the end of the mast when inserting into the tube on the Base assembly.

Assembly Instructions:

4. The lifting height can be set at three different levels as shown in Figure 3. In most cases, lifting height at middle hole is recommended. For extra lifting height, the lower most setting (lower hole on the mast) is recommended. For lower lifting height, the upper most setting (upper hole on the mast) is recommended. The distance between two holes is 2 inch / 50mm.



For lower lifting height, upper hole on the mast is recommended.

Lifting height at middle hole on mast is recommended in most cases.

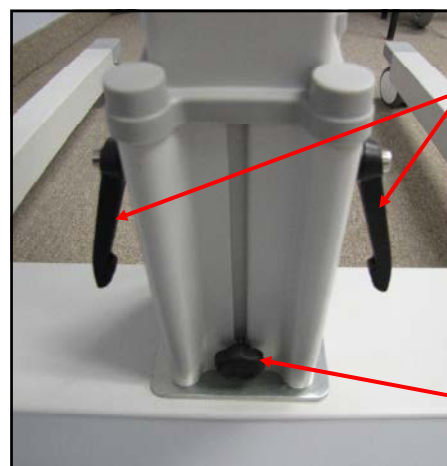
For extra lifting height, lower hole on the mast is recommended.

Figure 3

5. Using locking handles, secure the hoist mast in the desired position on the base as shown in Figure 4. Tighten the mast locking knob as shown in Figure 5. Adjust the position of the locking handles pointing in downward direction towards the base as shown in Figure 5.



Figure 4



**Locking
Handles**

**Mast
Locking
Knob**

Figure 5

Assembly Instructions:

6. Insert the bolts, and plastic white washers into the Arm rest, and then pass through the two holes on Mast assembly as shown in Figure 6, to 8. Insert other Arm rest into the bolts, and place plastic white washers as shown in Figure 9, and 10. Tight the nuts using 17 mm wrench as shown in Figure 11. Place the bolt protector caps on the bolts, and nuts as shown in Figure 12, and 13.

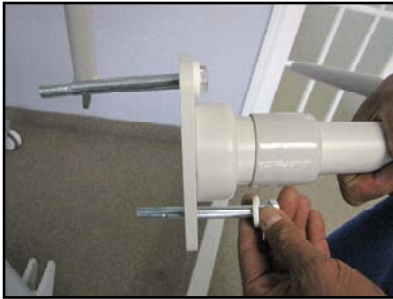


Figure 6

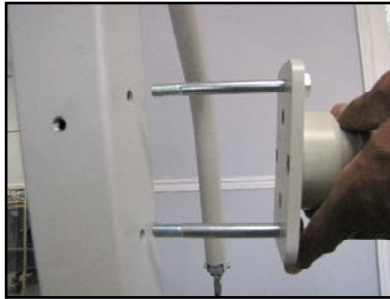


Figure 7



Figure 8

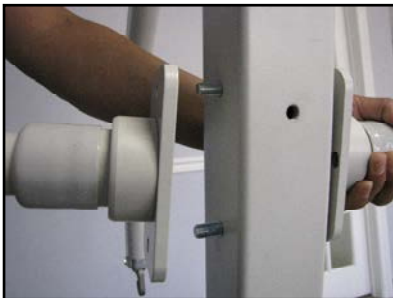


Figure 9



Figure 10



Figure 11



Figure 12



Figure 13

7. Remove the screws from the mounting position of push handle on Mast assembly. Insert the screws through the push handle bracket, and mount on the Mast assembly as shown in Figure 14, and 15.



Figure 14



Figure 15

Assembly Instructions:

Attaching 4 Point QRS Locking Carry Bar to Hoist:

8. To attach 4 point locking carry bar (supplied along with the hoist) to the hoist, tilt the carry bar to almost 90°, and push the latch to the swivel mount holder bolt as shown in Figure 16, and 17. Make sure that swivel mount of carry bar is perfectly sit onto the swivel mount holder bolt as shown in Figure 18.



Figure 16



Figure 17



Figure 18

Attaching 2 Point QRS Carry Bar to Hoist:

9. To attach 2 Point Quick Release Carry Bar to the Quick Release Hook, tilt the carry bar, and push the dowel pin of carry bar to the latch of QRS hook so that latch will open and dowel pin will be inserted into the QRS hook as shown in Figure 19. Make sure that latch is closed safely after the dowel pin sitting into the QRS hook as shown in Figure 20.

Assembly Instructions:

Attaching 2 Point QRS Carry Bar to Hoist ... continued



Figure 19



Figure 20

Detaching 4 Point QRS Locking Carry Bar, and 2 Point QRS carry bar from the Hoist:

10. To detach the carry bar from Quick Release Hook, Open the latch by pushing the latch down using the finger as shown in Figure 20A. Keep the latch pushing down, Tilt the carry bar approximately 90 degree, and remove the carry bar from the quick release hook as shown in Figure 20B. Apply the same procedure to detach Prism QRS Carry Bar from hoist as shown in Figure 20C, and 20D.



Figure 20A



Figure 20B



Figure 20C



Figure 20D

Assembly Instructions:

11. Remove the middle screw from the mounting bracket using 3 mm Allan Key as shown in Figure 21.
12. Press the A320B CBJ Care Control Box (280445) against the mounting bracket and slide it down. The control box should be seated securely on top of the edge of bracket as shown in Figure 22.
13. Mount the Control Box to the mounting bracket using same screw that you removed from the middle of the bracket using 3 mm Allan Key as shown in Figure 23.



Figure 21



Figure 22



Figure 23

14. To install the battery (280449), you will need to press the battery against the bracket and slide it down until it sits straight on top of the control box as shown in Figure 24. Make sure to secure the battery box by latching the battery lock into the bracket as shown in Figure 25.

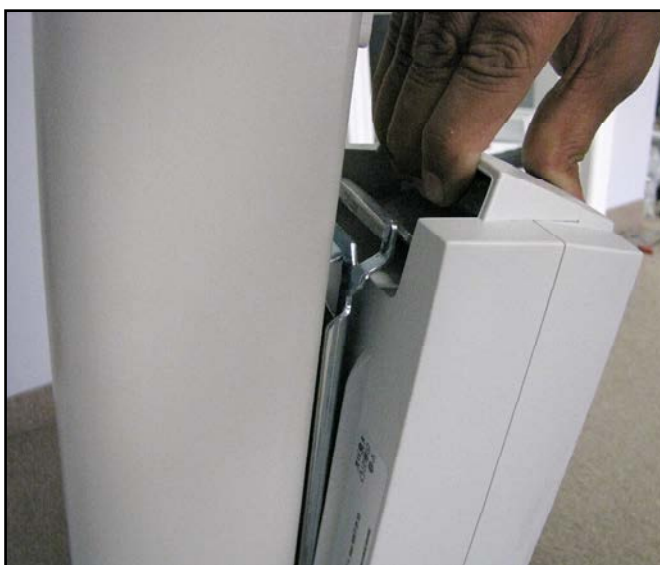


Figure 24



Figure 25

Assembly Instructions:

15. Connect all the cables to the control box as shown in the picture below.

- A. Connect the Hand Control connector to the large circle on the left side of the control box as shown in the Figure 26.
- B. Connect the LA44 Actuator Cable connector to the second circle (Marked No. 1) from the left side of the control box as shown in the Figure 27.
- C. Connect the LA28 Leg Spreading Actuator Cable connector to the third circle (Marked No. 2) from the left side of the control box as shown in the Figure 28.
- D. Connect the Mains Cable/Power Cord to the rectangular outlet on the control box as shown in the Figure 29.



Figure 26



Figure 27



Figure 28



Figure 29

16. **Please make sure to charge battery before initial use and before each operation of floor hoist.**

After assembly, check to ensure that:

1. Lifting actuator moving up and down with the buttons on the hand control, and control box.
2. Emergency lowering (mechanical, and electrical) functions works properly.
3. Rear wheel brakes works properly.
4. Leg spreading actuator works properly.
5. Batteries are fully charged.

Operation:

⚠ Caution: Visually inspect the floor hoist before using for any unusual wear and tear. Should anything look unusual then contact your local representative prior to use.

Failure to comply with this caution could result in serious injury to the operator, the individual being lifted and/or damage to the hoist.

Because of the safety function in the actuator the lifting arm and hanger bar can “fall down” to the height of the spindle. Therefore, both before and after each lifting operation, press the lifting arm down to ensure that it is supported by the actuator. This must be done, to remove the possibility of the lifting arm “falling down” and the risk of subsequent injury occurring.

Charging:

The “On” light illuminates when you plug the control box to the power outlet and should turn off when it is unplugged. The “Charge” light illuminates, and when you connect the battery to the control box and it is charging, also the LCD displays shows the symbol of mains cable plug in as shown in the Figure 30. The “Charge” light will turn off when the battery is finished charging.

The hoist should be plugged in for charging whenever the hoist is not in use to get the max number of cycles out of the battery. **An audible battery alarm will sound when approximate 25% of battery capacity remaining.** To obtain max life, charge the battery at no more than 30% discharge.

Please Note: The battery can be charged whether the Emergency Stop is activated or not.

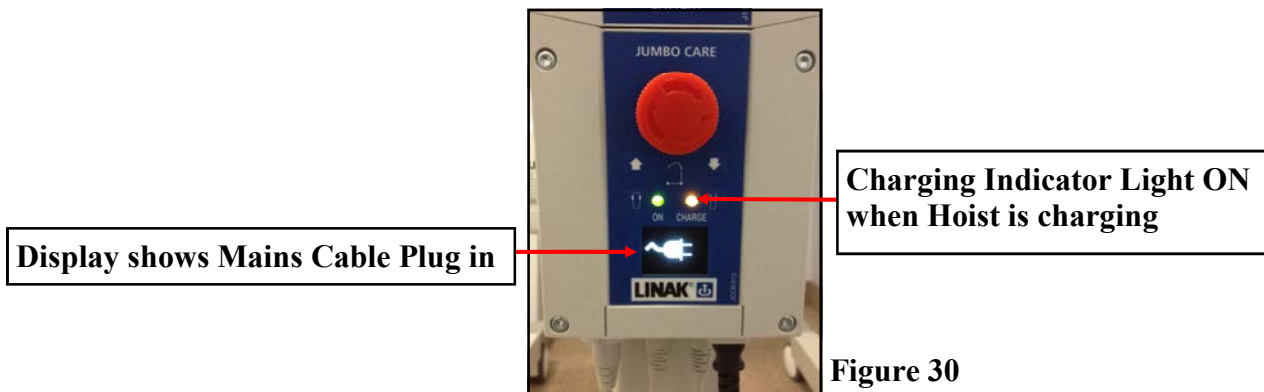


Figure 30

Start:

The Hand Control has four functions up/down and in/out. Press down on the symbols to operate the desired function. It is not possible to use two functions at the same time.

An audible alarm will sound once the load becomes too great on the hoist. This will cause the lifting operation to stop. Do not continue to operate the handset by repeatedly pressing the buttons. At this point the hoist has reached its maximum lift. This is a purposefully built in safety feature.

Please Note!

The emergency stop must be released at all times during normal operation.

Operation:

Forward Movement:

To move the hoist forward, hold onto the handle bar and push forward.



 DO NOT STAND ON COVER OR DO NOT PUSH ON COVER

Turning:

When turning the hoist, stand on along one side. With one hand pull gently on the handle bar, and with the other hand push gently away on the lifting arm. In this way the hoist will rotate around its own axis. This movement is performed with a smooth, slow action to avoid swinging the patient unnecessarily.



Warning:

Do not hold on to the actuator or swing link when turning the hoist as there is a risk of getting your fingers caught.

Operation:

Leg Adjustment:

The legs of A320B hoist are electrically adjustable for opening, and closing base width. The legs can be opened to enable access around arm chairs or wheel chairs. For transferring through narrow doorways, and passages the hoist legs should be in closed position.

Leg adjustment is achieved by pressing appropriate buttons on the hand control. The legs' motion will be stopped whenever the hand control button is released.

Raising and Lowering the Boom:

The up and down movement of boom on A320B hoist is achieved by a powerful electric actuator which is controlled by hand control. The hand control has two button with directional arrows UP and DOWN. The actuator stops automatically at the limit of travel in both directions.

Casters and Braking:

The A320B hoist has two rear casters with brake. The rear casters can be braked for rotation, lateral movement, and parking. To apply the brake, press the brake pedal down with your foot. To release the brake, press the raised pedal towards the wheel.

During the lifting, the rear wheels should remain unlocked so that the hoist will move to the patient's centre of gravity. The wheels should, however, be locked if there is a risk of lift moving to the patient. For example, when lifting the patient from the floor.

Warning:

Locked wheels during lifting will increase the risk of the hoist tilt over.

Application:

If the hoist is used incorrectly any warranty or product liability might cease to be valid.

The mobile hoist must only be used for person lifting and only for persons who, including the sling, do not weigh more than the stated max. weight load. If the load exceeds the stated weight limit and if the hoist is used for lifting anything but persons, then any product liability that Prism Medical might have, in connection with insurance / warranty / maintenance etc., will cease to be valid.

To avoid possible accidents and injury to persons being lifted, the floor hoists must only be operated as described in the preceding pages.

Basics in transferring an individual

⚠ Caution: The following steps are intended to generally illustrate the procedure involved in the lifting and transferring of an individual from one location to another using the floor hoist.

The manual for the sling that was purchased with the hoist should be reviewed in detail prior to attempting these steps, as the sling illustrated here may not be the same as the one that was purchased.

Contact your local authorized Prism Medical Representatives if you have any questions or concerns.

Step 1) Unplug the hoist from its charging station or current location and move close to the individual that is to be transferred. Use the procedures for up and down and transferring as described in the sections titled, “**Start**”, “**Forward Movement**” and “**Turning**”.

⚠ Caution: Always use extreme care when moving the hoist from one location to another. Watch out for and avoid any obstructions that may cause injury to the individual in the sling, or damage to the hoist.

Step 2) Prepare the individual being transferred with the appropriate sling. Refer to the instructions supplied with the sling that was purchased on how to properly outfit an individual with a sling.

⚠ Caution: Always make sure that the sling is correctly fitted and adjusted on each side of the individual so that maximum comfort and safety are achieved prior to lifting.

Step 3) Once the individual has been outfitted with the sling, move the hoist so that it is positioned **directly over the individual and utilize leg opening function if required**. Lower the carry bar to a height so that the straps of the sling can be easily attached to the carry bar.

⚠ Caution: Always check to ensure that the hoist is correctly positioned directly above the person to be lifted.

⚠ Caution: Check to ensure that the carry bar has no cuts, dents or sharp edges that may come in contact with the straps of the sling and cause damage to them. Report any concerns to your local authorized representative.

Step 4) Attach the straps of the sling to the hooks of the carry bar. The straps on each side of the sling are generally attached to the corresponding side of the carry bar. Be sure to double check to ensure that the straps are properly attached to the carry bar, and that the individual being lifted is properly positioned in the sling prior to lifting.

⚠ Caution: Prior to lifting an individual make sure that the straps of the sling are securely placed on the hooks of the carry bar.

Basics in transferring an individual ... continued

Step 5) The individual may now be raised using the UP button on the hand control. While lifting is in progress the height required in order for the transfer to be completed safely should be closely observed. Ensure that the individual being lifted will not be injured by any obstructions during the initial lifting.

⚠ Caution: Always use caution when lowering/raising an individual who is in the sling of the hoist. Watch out for and avoid any obstructions that may cause injury to the individual, or damage to the hoist.

Step 6) Once at the correct height the individual can be moved to the desired location. Refer to the sections already described in this manual on how to do so.

Step 7) Once at the desired location the individual in the sling can be lowered/raised to the correct height in order to complete the transfer. On completion of lowering/raising ensure that the individual is properly positioned and safely supported prior to removing the straps of the hoist from the carry bar.

⚠ Caution: Prior to removing the straps of the sling from the carry bar be sure to check that the individual being lifted is securely supported in the final desired position.

Step 8) Lower the carry bar sufficiently to allow the straps of the sling to be easily removed from the carry bar. Take care not to let the carry bar come in contact with the individual in the sling. The straps from the sling can now be removed from the carry bar. The hoist should then be moved away from the immediate area so that it will not interfere with the removal of the sling from the client.

Step 9) The sling can now be gently removed from the individual. It should then be stored in a safe place for future use.

Step 10) The hoist can now be moved to a safe location until further use, or relocated to its original location. The hoist should be turned off when not in use. It is recommended that the hoist be left on charge when not in operation. Refer to the section titled, “**Charging the hoist**” for instructions on charging.

Emergency Stop & Lowering:

⚠ Caution: The manual emergency lowering system should be used only if the lowering procedures described in the previous section of the manual do not work. Should you have any concerns or questions contact your local authorized Prism Medical Representative.

⚠ Caution: **DO NOT use the hoist after the manual lowering mechanism has been used.** The lift must be re-set by a qualified hoist technician after use. **Contact your local authorized Prism Medical Service Provider.**

Emergency Stop:

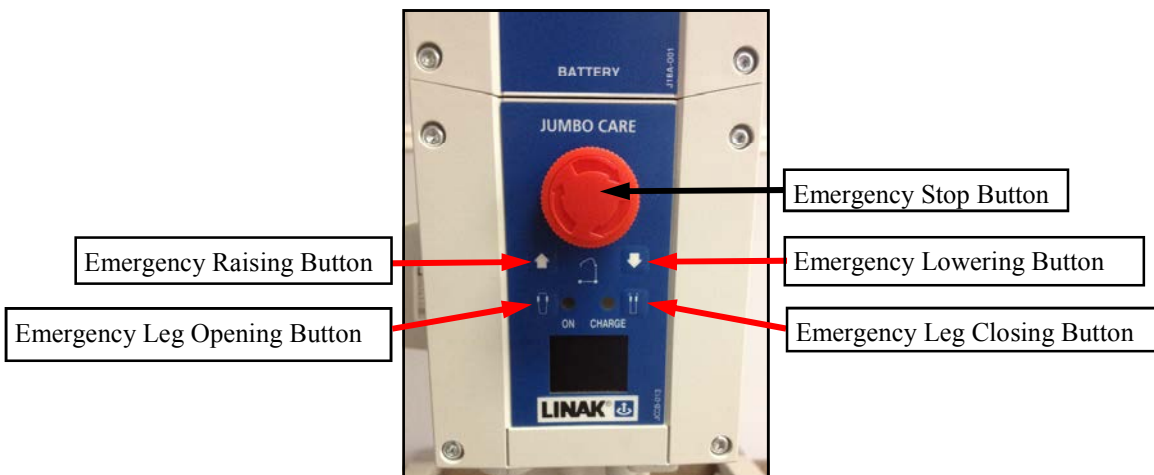
Push the Emergency Stop button to cut all power on the Floor hoist. To resume power, release the emergency stop button by turning in the direction as indicated by arrows on the Emergency Stop button.

Electrical emergency lowering/raising:

The hoist boom is lowered or raised by pressing the UP and DOWN arrow button on the control box.

Electrical emergency leg adjustment:

The hoist legs are opened or closed by pressing the leg opening, and leg closing arrow button on the control box.



Mechanical emergency lowering:

In case of power failure, it is possible to mechanically lower a patient placed in A320B hoist. Turn the manual lowering handle in clockwise direction to lower the boom until the boom reaches to safe position.



Control Box: Usage information

The control box of **A320B** hoist having LCD display to have some basic usage information on the display. Following information will be visible on the LCD display of control box.



When it is time for service the service symbol will appear on the display will light up and give notice to users about the need for service.



If the hoist stops because of overload, the symbol will appear on the display and give user the information about why the hoist is stopped.



If someone tries to use the hoist while mains plugged in, the symbol will appear on the display. The user receives the information about why the hoist is not working. Usage of hoist while charging is not possible.



The display showing a full battery symbol indicates that the battery is fully charged.



The display showing a half empty battery symbol indicates that it is time to charge the battery.



The display showing a empty battery symbol indicates that no battery is completely discharged.



The display showing a lifting actuator is moving up.



The display showing a lifting actuator is moving down.



The display showing a legs are opening.



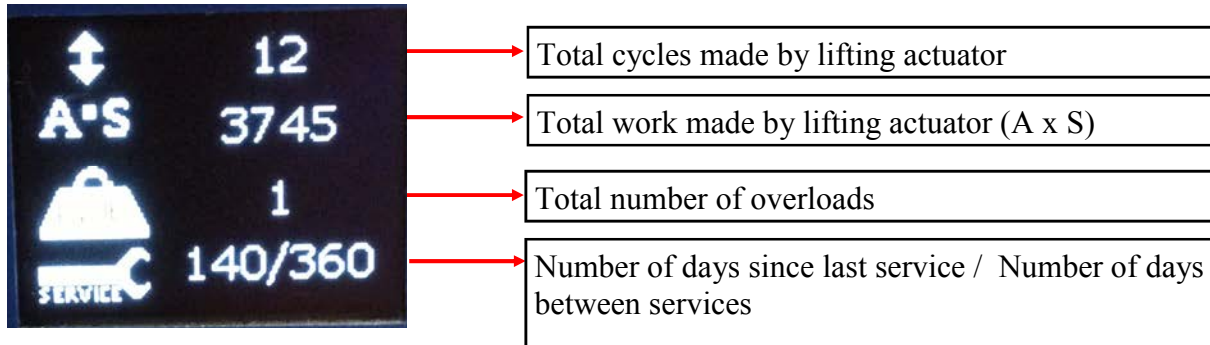
The display showing a legs are closing.

Control Box: Service information

The control box of **A320B** hoist having LCD display to have some basic service data on the display.

To get this information, press the “lifting arm up” button on hand control for half a second.

The information that appears on the display is as shown below.



Total cycles made by lifting actuator:

One cycle is defined as; Moving with load (the actuator draws more than 1.5 Amps).

Moving direction up for a minimum of 5 seconds (several activations are allowed), followed by moving down for a minimum of 2 seconds.

Total work made by lifting actuator:

Work indicator for the lifting actuator measures via ampere usage x seconds in use.

The work indicator gives very good indication of how worn is the actuator. Typical minimum lifetime performance without abuse of the actuator is 10000 cycles in life test equals to 5,600,000 A x S.

Total number of over loads:

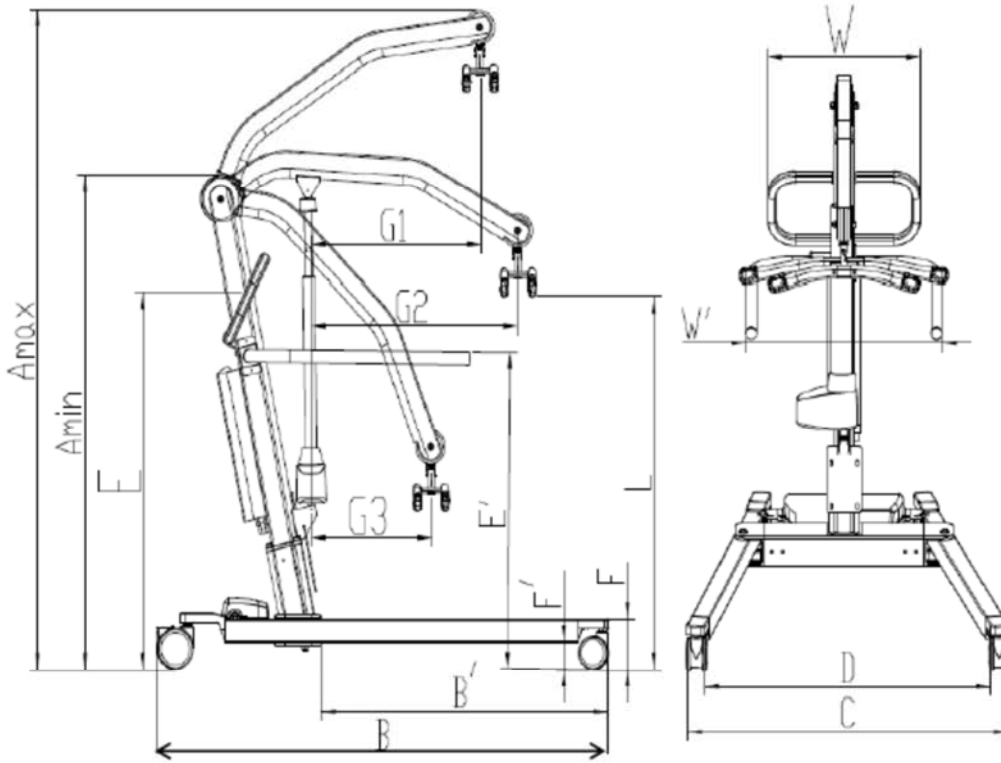
Counts the number of times the lifting actuator has been overloaded.

Resetting of Service interval after service has been carried out:

Resetting of service is done by pressing 2 buttons; Lifting arm UP, and lifting arm DOWN on the hand control at the same time for 5 seconds. After pressing the buttons for 5 seconds, you will receive an audio signal indicating that the timer has been reset. The timer will clear the display for service symbol, and start counting a new service period.

Technical Specifications– A320B

Specifications for FGA-700 - Bariatric Aluminum 700 lbs.



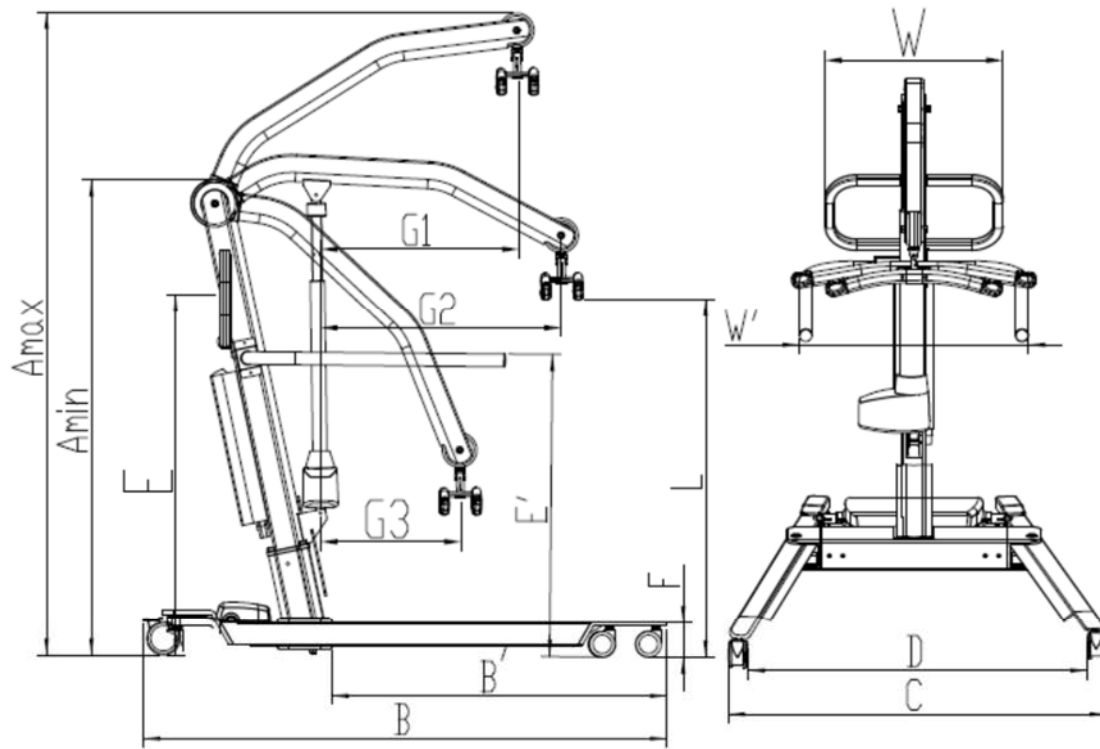
Max.load and weight in lbs. and Dimensions in inch.

Max. load	L		A		B	B'	C	D	E	E'	F	F'	G			W	W'	NW	Turning Radius
	Max.	Min.	Max.	Min.									G1	G2	G3				
700	76.4	25.2	84.9	61.4	59	36.4	30.1 ~ 46.9	25.2 ~ 41.9	51.2	43.3	6.1	3.3	18.9	27.2	17.8	20.9	28.7	140.8	62.8
	74.4	23.2	82.9	59.4					49.2	41.3									
	72.5	21.3	80.9	57.5					47.2	39.4									

Max.load and weight in kg and Dimensions in cm.

Max. load	L		A		B	B'	C	D	E	E'	F	F'	G			W	W'	NW	Turning Radius
	Max.	Min.	Max.	Min.									G1	G2	G3				
318	194	64	216	156	150	92.5	76.5~119	64~106.5	130	110	15.5	8.5	48	69.1	45.3	53	73	64	159.5
	189	59	211	151					125	105									
	184	54	206	146					120	100									

Technical Specifications– A320B



Max load and weight in lbs measures in cm. (未注公差: ±1cm)

Max. load	L		A		B	B'	C	D	E	E'	F	F'	G			W	W'	NW	Turning diameter
	Max.	Min.	Max.	Min.									G1	G2	G3				
700	189	59	211	151	150	94.5	76.5~117	64~104.5	123.8	105	10.5 (公差0/-0.5cm)	3.5	48	69.1	45.3	53	73	118	160.5
	184	54	206	146					(公差±1-3cm)	(公差±1-3cm)			(公差±1-3cm)						
	179	49	201	141															

DO'S & DON'TS

DO

- ✓ Do charge the battery whenever possible. This will extend the battery life. A large number of cycles can be obtained from operating on the batteries, but battery lifetime is reduced with frequent discharging.
- ✓ Do inspect all cables particularly the mains power cable on the charger for any damage; replace where necessary.
- ✓ Do stow the handset and if fitted with charger, the mains power cable when transporting the hoist.
- ✓ Do clean the actuators, control box, charger, battery and handset at regular intervals to remove dust and dirt.

The exterior of the hoist should only be cleaned, disinfected and sterilized using isopropyl alcohol. Damp a cloth with isopropyl alcohol and wipe down entire exterior of hoist. No other chemicals and/or liquids should be used to clean, disinfect and sterilize this hoist.

⚠ Caution: Take great care to ensure that no liquids get inside the hoist. This hoist is not drip proof or water tight. Failure to protect the hoist from liquids may result in damage to the hoist and/or may cause personal injury.

DON'T

- ✗ Don't allow the batteries to fully discharge before connecting to the charger. The batteries are a lead-acid gel cell type that can be trickled charged continuously (batteries used for standby) and have a high current discharge capacity. Life is greatly reduced by deep or complete discharging of the batteries. Longer lifetime is obtained by maintaining fully charged batteries.
- ✗ Don't continue to operate the handset by repeatedly pressing the buttons if the hoist function will not move or the actuator will not function. If this occurs then the actuator has either reached its end position, the load is too great or there is a malfunction.
- ✗ Don't exert excessive force on the handset cable as this may break off the wires inside the cable and prevent some or all of the operations.
- ✗ Don't continually operate the hoist functions. The system is not designed for continuous operation. Continuous Operation will cause batteries to be deeply discharged or to damage the actuator or control box by overheating.

Fault Finding

Should problems arise with the use of the hoist review the following chart. Find the fault and complete the recommended solution. If the fault is not found and/or the solution does not correct the problem contact your local Prism Medical authorized Service Provider for service immediately.

PROBLEM	SOLUTION
Hoist cannot raise/lower, control box is not clicking.	<ul style="list-style-type: none"> • Hand control is not properly plugged in. • Hand control is defective. • Control box is defective.
Hoist cannot raise/lower, control box is clicking.	<ul style="list-style-type: none"> • Lifting actuator cord (1) is not fully plugged into slot (1) on the control box. • Lifting actuator is defective.
Emergency Lower button on control box does not lower.	<ul style="list-style-type: none"> • Lifting actuator cord (1) is not fully plugged into slot (1) on the control box. • Lifting actuator is defective. • Control box is defective.
Hoist cannot spread or close legs, control box is not clicking.	<ul style="list-style-type: none"> • Hand control is not properly plugged in. • Hand control is defective. • Control box is defective.
Hoist cannot spread or close legs, control box is clicking.	<ul style="list-style-type: none"> • Leg spreading actuator cord (2) is not fully plugged into slot (2) on the control box. • Leg spreading actuator is defective.
Cannot move hoist.	<ul style="list-style-type: none"> • Rear caster brake is engaged. • Casters are defective.
Cannot tighten Mast into Base tube.	<ul style="list-style-type: none"> • Mast locking assembly are defective, replace with new Mast locking assembly .

General Inspection and Maintenance

A) Each Use - To be completed by User

- All functions on hand control are operational.

B) Semi-Annually - To be completed at least every 6 months.

Should any of these items fail the inspection do not use the hoist. Contact Prism Medical Systems or your local qualified service technician for service.

- Complete the inspection as noted in the “Each Use” section above.

Also check the following:

- Battery charger functional.
- Weigh scale functional (if applicable).
- Casters are clean and free of debris.
- All bolts and attachment points are secure (see next page for “Points of Attachment”)
- Visual inspection of all weld points and cast components.
- Check operation of the emergency stop button.

C) Annually - To be completed at least every 12 months.

- Complete the inspection as noted in the “Semi-Annually” section above.

Also check the following:

- Perform a working load test of one (1) lifting cycle with the maximum load. This is in accordance to the periodic inspection requirements of ISO10535.
- Check functional operation of the emergency lowering mechanism.
- All bolts in connection with the carry bar must be inspected, greased and tightened. All defective or worn components must be replaced.
- Connection bolts/bearings between arm and mast to be inspected. All defective or worn components must be replaced.
- Leg spreading function to be tested and all bolts to be inspected. All defective or worn components must be replaced.
- Check that main actuator is functional.



This section to be only completed by a qualified service technician as authorized by Prism Medical Ltd. Use the provided service record history sheets to note findings during inspection.

Floor hoist - Points of Attachment

Use the described tools to tighten the bolts on a monthly basis in the areas shown.



17mm Wrench -
Actuator mounting

5mm Allen Key -
Push Handle

16mm and 17mm
Wrench - Handle Bar

4mm Allen Key-
Mounting Bracket
3mm Allen Key-
Mounting Control Box

17mm Wrench -
Actuator mounting

Locking Handle

13mm and 14 mm Wrench -
Carry bar mount

Service Record History - Initial Information

- Complete the following section on **Purchase and Service Information** as soon as this equipment is purchased.
- Use the service record history to record to any completed service and repairs.
- Ensure that the service record is signed and dated each time it is used.
- Be sure to have this piece of equipment serviced on a regular basis as described in the General Inspection and Maintenance Section.

PURCHASE INFORMATION:

Product Name: **A320B Mobile hoist** **Model #:** _____
Serial #: _____

Date of Purchase: _____

Purchased From: _____
(local authorized Prism Medical Representative)

Address: _____

City: _____ **Postal Code:** _____

Telephone No: _____

Comments:

SERVICE INFORMATION:

Contact the following company for service:

Company: _____
(local authorized Prism Medical Representative)

Address: _____

City: _____ **Postal Code:** _____

Telephone No: _____

Comments:

Service Record History

Complete this section after each service, repair inspection and/or maintenance. Photocopy additional pages as required.

Date: _____		Time: _____	
Service Type: <input type="checkbox"/> Periodic Inspection <input type="checkbox"/> Monthly Inspection <input type="checkbox"/> 6 Month Inspection <input type="checkbox"/> Repair <input type="checkbox"/> Yearly Inspection <input type="checkbox"/> Other: _____			
Completed By: _____		_____	
Printed Name		Signature	
Company: _____			
Remarks & Action Taken:			

Date: _____		Time: _____	
Service Type: <input type="checkbox"/> Periodic Inspection <input type="checkbox"/> Monthly Inspection <input type="checkbox"/> 6 Month Inspection <input type="checkbox"/> Repair <input type="checkbox"/> Yearly Inspection <input type="checkbox"/> Other: _____			
Completed By: _____		_____	
Printed Name		Signature	
Company: _____			
Remarks & Action Taken:			

Date: _____		Time: _____	
Service Type: <input type="checkbox"/> Periodic Inspection <input type="checkbox"/> Monthly Inspection <input type="checkbox"/> 6 Month Inspection <input type="checkbox"/> Repair <input type="checkbox"/> Yearly Inspection <input type="checkbox"/> Other: _____			
Completed By: _____		_____	
Printed Name		Signature	
Company: _____			
Remarks & Action Taken:			

Date: _____		Time: _____	
Service Type: <input type="checkbox"/> Periodic Inspection <input type="checkbox"/> Monthly Inspection <input type="checkbox"/> 6 Month Inspection <input type="checkbox"/> Repair <input type="checkbox"/> Yearly Inspection <input type="checkbox"/> Other: _____			
Completed By: _____		_____	
Printed Name		Signature	
Company: _____			
Remarks & Action Taken:			

Date: _____		Time: _____	
Service Type: <input type="checkbox"/> Periodic Inspection <input type="checkbox"/> Monthly Inspection <input type="checkbox"/> 6 Month Inspection <input type="checkbox"/> Repair <input type="checkbox"/> Yearly Inspection <input type="checkbox"/> Other: _____			
Completed By: _____		_____	
Printed Name		Signature	
Company: _____			
Remarks & Action Taken:			

Date: _____		Time: _____	
Service Type: <input type="checkbox"/> Periodic Inspection <input type="checkbox"/> Monthly Inspection <input type="checkbox"/> 6 Month Inspection <input type="checkbox"/> Repair <input type="checkbox"/> Yearly Inspection <input type="checkbox"/> Other: _____			
Completed By: _____		_____	
Printed Name		Signature	
Company: _____			
Remarks & Action Taken:			

Service Record History

Complete this section after each service, repair inspection and/or maintenance. Photocopy additional pages as required.

Date: _____		Time: _____	
Service Type: <input type="checkbox"/> Periodic Inspection <input type="checkbox"/> Monthly Inspection <input type="checkbox"/> 6 Month Inspection <input type="checkbox"/> Repair <input type="checkbox"/> Yearly Inspection <input type="checkbox"/> Other: _____			
Completed By: _____		_____	
Printed Name		Signature	
Company: _____			
Remarks & Action Taken:			

Date: _____		Time: _____	
Service Type: <input type="checkbox"/> Periodic Inspection <input type="checkbox"/> Monthly Inspection <input type="checkbox"/> 6 Month Inspection <input type="checkbox"/> Repair <input type="checkbox"/> Yearly Inspection <input type="checkbox"/> Other: _____			
Completed By: _____		_____	
Printed Name		Signature	
Company: _____			
Remarks & Action Taken:			

Date: _____		Time: _____	
Service Type: <input type="checkbox"/> Periodic Inspection <input type="checkbox"/> Monthly Inspection <input type="checkbox"/> 6 Month Inspection <input type="checkbox"/> Repair <input type="checkbox"/> Yearly Inspection <input type="checkbox"/> Other: _____			
Completed By: _____		_____	
Printed Name		Signature	
Company: _____			
Remarks & Action Taken:			

Date: _____		Time: _____	
Service Type: <input type="checkbox"/> Periodic Inspection <input type="checkbox"/> Monthly Inspection <input type="checkbox"/> 6 Month Inspection <input type="checkbox"/> Repair <input type="checkbox"/> Yearly Inspection <input type="checkbox"/> Other: _____			
Completed By: _____		_____	
Printed Name		Signature	
Company: _____			
Remarks & Action Taken:			

Date: _____		Time: _____	
Service Type: <input type="checkbox"/> Periodic Inspection <input type="checkbox"/> Monthly Inspection <input type="checkbox"/> 6 Month Inspection <input type="checkbox"/> Repair <input type="checkbox"/> Yearly Inspection <input type="checkbox"/> Other: _____			
Completed By: _____		_____	
Printed Name		Signature	
Company: _____			
Remarks & Action Taken:			

Date: _____		Time: _____	
Service Type: <input type="checkbox"/> Periodic Inspection <input type="checkbox"/> Monthly Inspection <input type="checkbox"/> 6 Month Inspection <input type="checkbox"/> Repair <input type="checkbox"/> Yearly Inspection <input type="checkbox"/> Other: _____			
Completed By: _____		_____	
Printed Name		Signature	
Company: _____			
Remarks & Action Taken:			

Service Record History

Complete this section after each service, repair inspection and/or maintenance. Photocopy additional pages as required.

Date: _____		Time: _____	
Service Type: <input type="checkbox"/> Periodic Inspection <input type="checkbox"/> Monthly Inspection <input type="checkbox"/> 6 Month Inspection <input type="checkbox"/> Repair <input type="checkbox"/> Yearly Inspection <input type="checkbox"/> Other: _____			
Completed By: _____		_____	
Printed Name		Signature	
Company: _____			
Remarks & Action Taken:			

Date: _____		Time: _____	
Service Type: <input type="checkbox"/> Periodic Inspection <input type="checkbox"/> Monthly Inspection <input type="checkbox"/> 6 Month Inspection <input type="checkbox"/> Repair <input type="checkbox"/> Yearly Inspection <input type="checkbox"/> Other: _____			
Completed By: _____		_____	
Printed Name		Signature	
Company: _____			
Remarks & Action Taken:			

Date: _____		Time: _____	
Service Type: <input type="checkbox"/> Periodic Inspection <input type="checkbox"/> Monthly Inspection <input type="checkbox"/> 6 Month Inspection <input type="checkbox"/> Repair <input type="checkbox"/> Yearly Inspection <input type="checkbox"/> Other: _____			
Completed By: _____		_____	
Printed Name		Signature	
Company: _____			
Remarks & Action Taken:			

Date: _____		Time: _____	
Service Type: <input type="checkbox"/> Periodic Inspection <input type="checkbox"/> Monthly Inspection <input type="checkbox"/> 6 Month Inspection <input type="checkbox"/> Repair <input type="checkbox"/> Yearly Inspection <input type="checkbox"/> Other: _____			
Completed By: _____		_____	
Printed Name		Signature	
Company: _____			
Remarks & Action Taken:			

Date: _____		Time: _____	
Service Type: <input type="checkbox"/> Periodic Inspection <input type="checkbox"/> Monthly Inspection <input type="checkbox"/> 6 Month Inspection <input type="checkbox"/> Repair <input type="checkbox"/> Yearly Inspection <input type="checkbox"/> Other: _____			
Completed By: _____		_____	
Printed Name		Signature	
Company: _____			
Remarks & Action Taken:			

Date: _____		Time: _____	
Service Type: <input type="checkbox"/> Periodic Inspection <input type="checkbox"/> Monthly Inspection <input type="checkbox"/> 6 Month Inspection <input type="checkbox"/> Repair <input type="checkbox"/> Yearly Inspection <input type="checkbox"/> Other: _____			
Completed By: _____		_____	
Printed Name		Signature	
Company: _____			
Remarks & Action Taken:			

Warranty

This Warranty does not affect or in any way limit your Statutory Rights

- 1) Prism Medical guarantees all equipment supplied as new, against failure within the period of 1 year from date of purchase by virtue of defects in material or workmanship.
- 2) This warranty does not apply to failure attributable to normal wear and tear, damage by natural forces, user neglect or misuse or to deliberate destruction, or to batteries more than 90 days after original purchase.
- 3) This equipment warranty shall be void if the equipment is not serviced by Prism Medical or its authorized service agents in accordance with the manufacturer's recommendations or if any unauthorized person carries out works on the equipment.
- 4) The liability of Prism Medical under the terms of this guarantee shall be limited to the replacement of defective part (s) to the sales distributor, dealer, agent, person or entity which purchased the equipment from Prism Medical. In no event shall Prism Medical incur liability for any consequential or unforeseeable losses.

If you have any questions about the manufacture or operation of this equipment, please contact Prism Medical UK, or your local authorised dealer.

PRISM MEDICAL UK



Prism Medical UK, Unit 4 Jubilee Business Park, Jubilee Way,
Grange Moor, Wakefield, WF4 4TD

Tel 0844 980 2260

www.prismmedical.co.uk

info@prismmedical.co.uk

This document conforms to EN ISO 10535:2006 requirements



™ Trade-mark of Corven Health Care Inc. Used under licence.