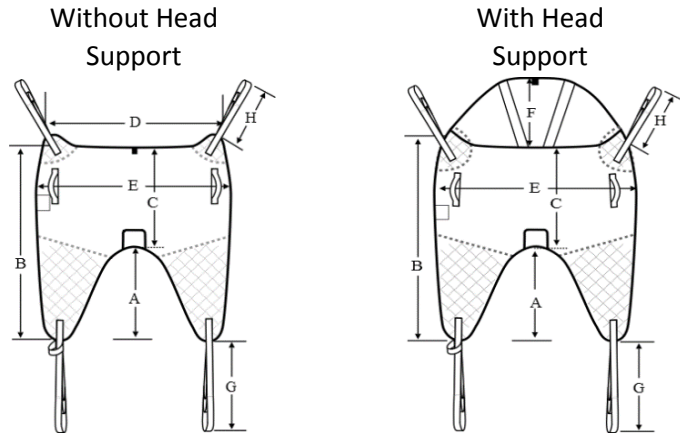


MACKWORTH OAK - UNIVERSAL

MATERIAL OPTIONS
SOLID
MESH
SPACER
QUILTING
PARASILK

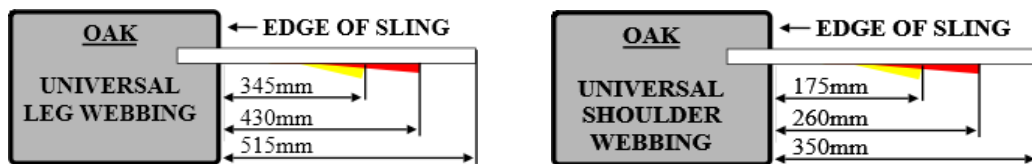


NOTES

- * ALL MEASUREMENTS ARE IN MILLIMETRE'S
- * MEASUREMENT "B" IS TAKEN DOWN THE CENTRE OF THE SLING TO THE END OF THE LEG
- * MEASUREMENT "B" ON THE FINISHED SLING IS A + C WITH THE SLING LAID FLAT.
- * "D" IS MEASURED AT THE TOP EDGE OF THE WITHOUT HEAD SLING ONLY

FINISHED SLING DIMENSIONS

	XXS	XS	S	M	L	XL	XXL
A	330	365	405	450	485	485	510
B	780	860	920	990	1070	1080	1225
C	440	490	515	540	635	660	700
D	530	630	730	830	870	850	950
E	660	760	860	970	1060	1120	1200
F	275	275	355	355	355	355	355
G	515	515	515	515	515	515	500
H	350	330	350	350	350	350	335



Note: All measurement are +/- 5%

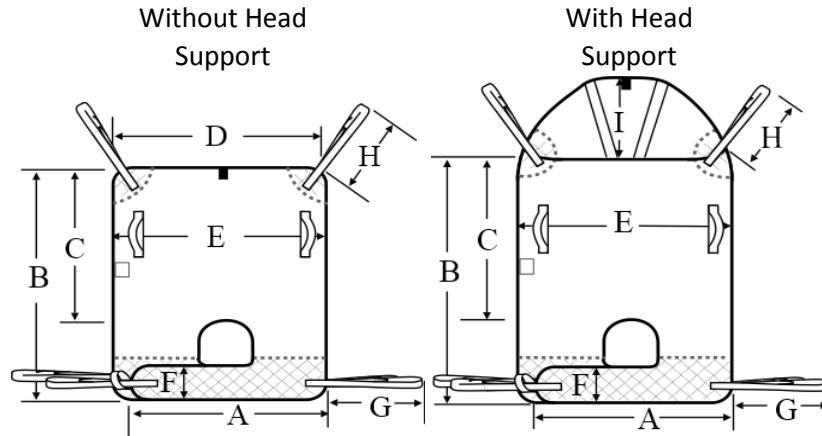
NB: This document is a guide only and shrinkage may occur during laundering processes.
 Specials / Made to measure variations of this and other sling designs for specialist patient needs will possibly vary from this guide.

Design Date: 01/04/2014

Signed: Len Foley Manager

MACKWORTH LONG LEG HAZEL - CLASSIC UNIVERSAL LL

MATERIAL OPTIONS
SOLID
MESH
SPACER
QUILTING
PARASILK

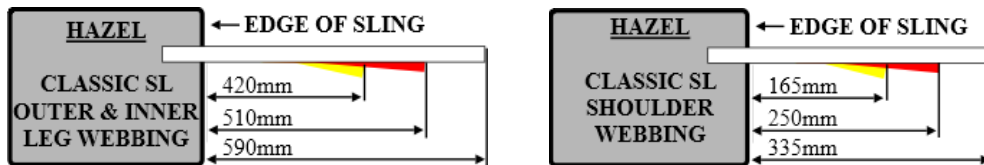


NOTES

- * ALL MEASUREMENTS ARE IN MILLIMETRE'S
- * MEASUREMENT "B" IS TAKEN DOWN THE SIDE OF THE SLING (NO HEAD SLING)
- * THIS SLING HAS THE SAME WEBBING ON THE INSIDE AND OUTSIDE OF THE LEGS DIMENSION "G"
- * "D" IS MEASURED AT THE TOP EDGE OF THE WITHOUT HEAD SLING ONLY

FINISHED SLING DIMENSIONS

	XXS	XS	S	M	L	XL	XXL	
A	580	635	690	740	820	880	1000	
B	675	750	815	850	870	870	930	
C	560	615	585	615	655	670	730	
D	620	710	810	850	820	920	1080	
E	745	847	950	1030	1080	1180	1290	
F	155	165	165	165	165	165	165	
G	590	590	590	590	590	590	590	
H	335	335	335	335	335	355	355	
I	275	275	350	350	350	355	355	



Note: All measurements are +/- 5%

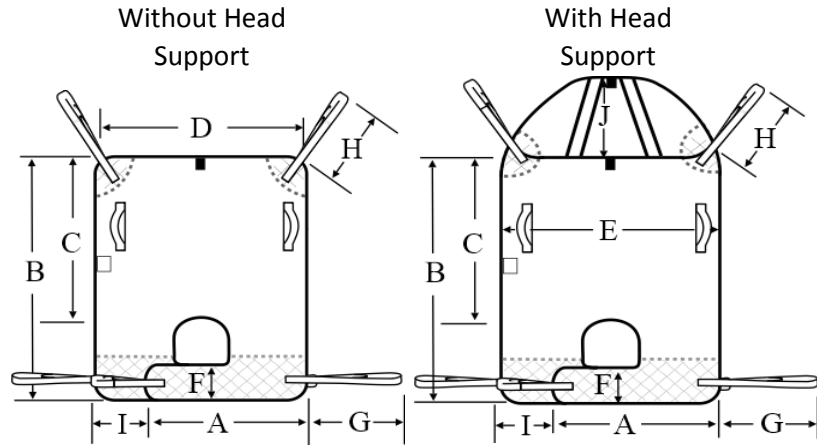
NB: This document is a guide only and shrinkage may occur during laundering processes. Specials / Made to measure variations of this and other sling designs for specialist patient needs will possibly vary from this guide.

Design Date: 01/04/2014

Signed: Len Foley Manager

MACKWORTH SHORT LEG HAZEL - CLASSIC UNIVERSAL SL

MATERIAL OPTIONS
SOLID
MESH
SPACER
QUILTING
PARASILK

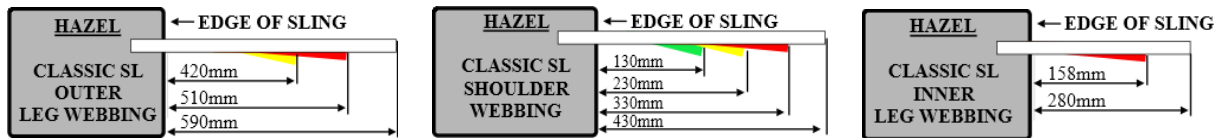


NOTES

- * ALL MEASUREMENTS ARE IN MILLIMETRE'S
- * MEASUREMENT "B" IS TAKEN DOWN THE SIDE OF THE SLING (NO HEAD SLING)
- * THIS SLING HAS A SHORT INSIDE LEG WEBBING, DIMENSION "I"
- * "D" IS MEASURED AT THE TOP EDGE OF THE WITHOUT HEAD SLING ONLY

FINISHED SLING DIMENSIONS

	XXS	XS	S	M	L	XL	XXL	XXXL
A		535	555	645	720	840	950	1130
B		710	790	890	1000	1090	1210	1530
C		565	640	730	850	940	1000	1260
D		525	580	750	860	990	1080	1300
E		680	730	900	1070	1220	1330	1470
F		150	170	170	170	185	230	250
G		590	590	590	590	590	600	590
H		430	430	430	430	430	440	430
I		280	280	280	280	280	280	280
J		275	350	350	350	355	355	355



Note: All measurement are +/- 5%

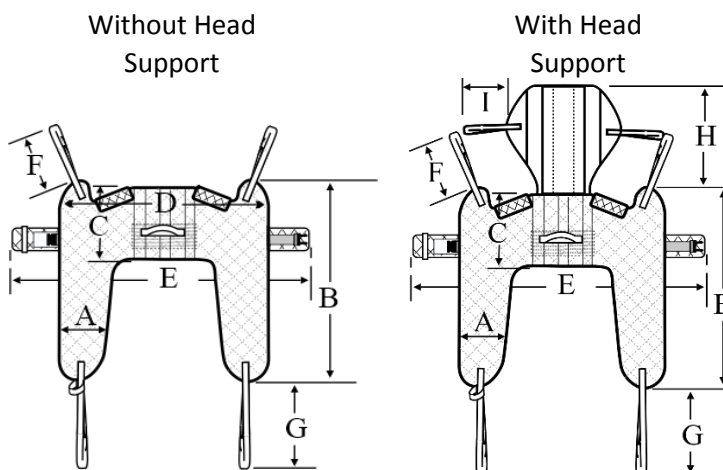
NB: This document is a guide only and shrinkage may occur during laundering processes. Specials / Made to measure variations of this and other sling designs for specialist patient needs will possibly vary from this guide.

Design Date: 01/04/2014

Signed: Len Foley Manager

MACKWORTH WILLOW -LUXURY TOILET

MATERIAL OPTIONS
QUILTING / SOLID
SOLID

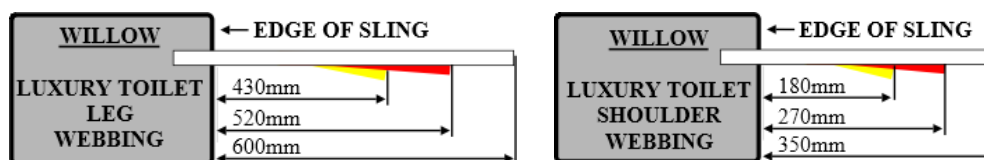


NOTES

- * MEASUREMENTS ARE IN MILLIMETRE'S, FOR EASE OF USE BELT SIZE'S ARE ALSO IN INCHES
- * MEASUREMENT "B" IS TAKEN FROM THE TIP OF THE SHOULDER TO THE END OF THE LEG
- * "A" IS MEASURED 200 MM FROM THE END OF THE LEG
- * "D" IS MEASURED 100 MM FORM THE TOP OF THE SLING ON THE WIDEST PART

FINISHED SLING DIMENSIONS

	XXS	XS	S	M	L	XL	XXL	XXXL
A	165	165	195	200	210	210	210	
B	700	780	850	895	970	1040	1150	
C	250	280	280	280	305	310	315	
D	690	770	860	980	1050	1130	1260	
E	30 3/4 / 780	36" / 914	41" / 1041	45.5" / 1156	55" / 1400	65" / 1651	76" / 1930	85" / 2160
To Fit Waist	19-25"	24-30"	27-36"	31-41"	40-51"	51-60"	61-70"	71-80"
F	350	350	350	350	350	350	350	
G	600	600	600	600	600	600	600	
H	350	350	500	500	500	500	500	
I	WEBBING ADJUSTABLE FOR THE PATIENTS COMFORT AND POSITION							



Note: All measurement are +/- 5%

NB: This document is a guide only and shrinkage may occur during laundering processes. Specials / Made to measure variations of this and other sling designs for specialist patient needs will possibly vary from this guide.

Design Date: 01/04/2014

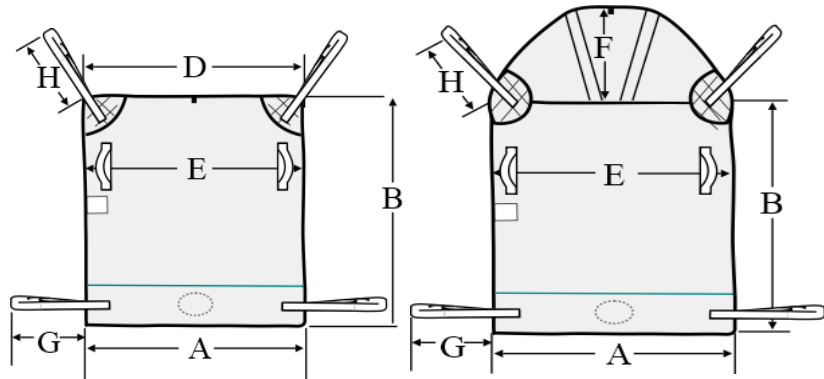
Signed: Len Foley Manager

MACKWORTH PINE - HAMMOCK

MATERIAL OPTIONS
SOLID
MESH
SPACER
QUILTING
PARASILK

Without Head Support

With Head Support

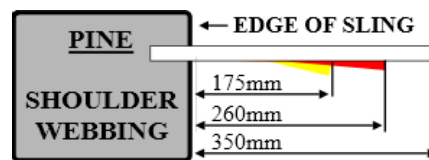
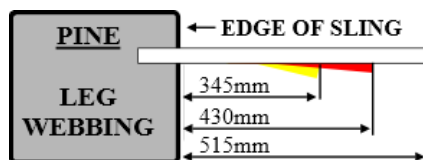


NOTES

- * MEASUREMENTS ARE IN MILLIMETRE'S
- * MEASUREMENT "B" IS TAKEN DOWN THE CENTRE OF THE SLING
- * "D" IS MEASURED AT THE TOP EDGE OF THE WITHOUT HEAD SLING ONLY

FINISHED SLING DIMENSIONS

	XXS	XS	S	M	L	XL	XXL	XXXL
A	660	760	855	920	950	1040	1150	
B	690	820	900	1000	1070	1150	1190	
C	NA	NA	NA	NA	NA	N/A	NA	
D	510	610	715	810	850	850	960	
E	660	740	866	950	1035	1090	1200	
F	270	330	360	360	360	360	360	
G	515	515	515	515	515	515	515	
H	350	350	350	350	350	350	350	



Note: All measurement are +/- 5%

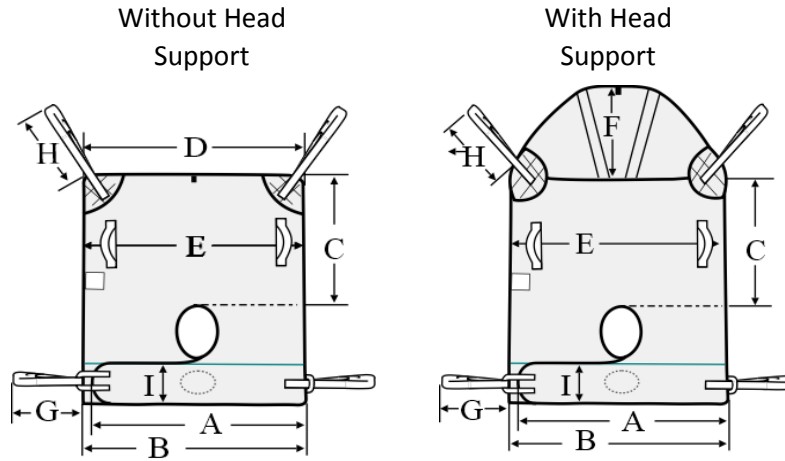
NB: This document is a guide only and shrinkage may occur during laundering processes. Specials / Made to measure variations of this and other sling designs for specialist patient needs will possibly vary from this guide.

Design Date: 02/02/2015

Signed: Len Foley Manager

MACKWORTH BEECH -EASY FIT HAMMOCK

MATERIAL OPTIONS
SOLID
MESH
SPACER
QUILTING
PARASILK



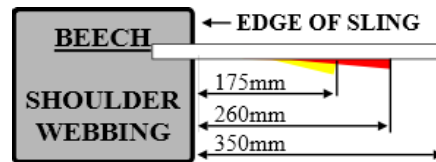
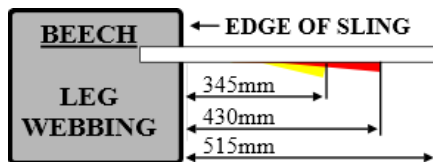
NOTES

* ALL MEASUREMENT ARE IN MILLIMETER'S

* "D" IS MEASURED AT THE TOP EDGE OF THE WITHOUT HEAD SLING ONLY

FINISHED SLING DIMENSIONS

	XXS	XS	S	M	L	XL	XXL	XXXL
A	630	790	815	835	890	1040		
B	660	820	845	875	925	995		
C	455	550	490	580	645	750		
D	510	720	730	820	870	870		
E	660	760	860	945	1030	1090		
F	270	330	360	360	360	360		
G	515	515	515	515	515	151		
H	350	350	350	350	350	350		
I	160	160	160	160	160	160		



Note: All measurement are +/- 5%

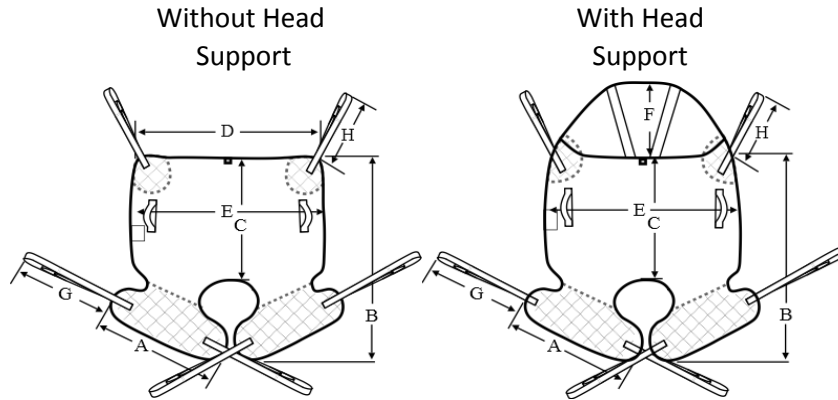
NB: This document is a guide only and shrinkage may occur during laundering processes. Specials / Made to measure variations of this and other sling designs for specialist patient needs will possibly vary from this guide.

Design Date: 01/04/2014

Signed: Len Foley Manager

MACKWORTH YEW - UNIVERSAL EASYFIT

MATERIAL OPTIONS
SOLID
MESH
SPACER
QUILTING
PARASILK

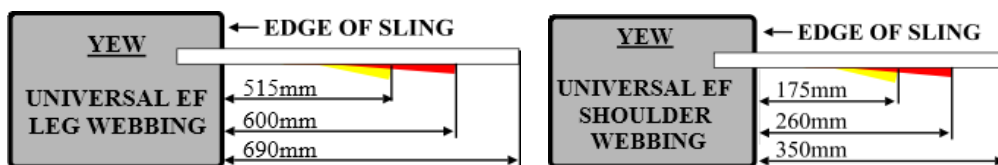


NOTES

- * MEASUREMENTS ARE IN MILLIMETRES
- * MEASUREMENT "B" IS TAKEN FROM THE TOP CENTRE OF THE SLING TO THE END OF THE LEG
- * "D" IS MEASURED AT THE TOP EDGE OF THE WITHOUT HEAD SLING ONLY

FINISHED SLING DIMENSIONS

	XXS	XS	S	M	L	XL	XXL	Special
A			530	595	595			
B			920	990	1100			
C			620	665	780			
D			720	820	840			
E			870	960	1060			
F			360	360	360			
G			690	690	690			
H			350	350	350			



Note: All measurement are +/- 5%

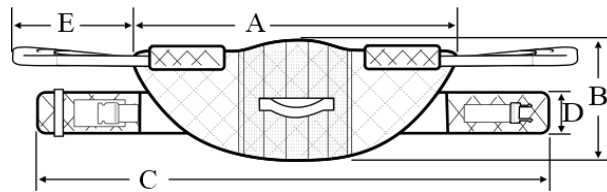
NB: This document is a guide only and shrinkage may occur during laundering processes. Specials / Made to measure variations of this and other sling designs for specialist patient needs will possibly vary from this guide.

Design Date: 01/04/2014

Signed: Len Foley Manager

MACKWORTH MAPLE- SIT TO STAND WITH BACK SUPPORT

MATERIAL OPTIONS
QUILTING / SOLID

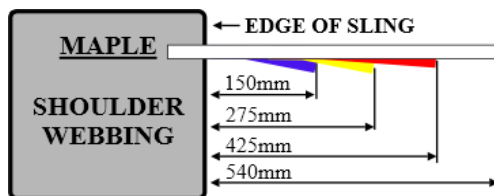


NOTES

* MEASUREMENTS ARE IN MILLIMETRE'S, FOR EASE OF USE BELT SIZE'S ARE ALSO IN INCHES

FINISHED SLING DIMENSIONS

	XXS	XS	S	M	L	XL	XXL	XXXL
A			860	960	1060	1160	1260	
B			325	325	325	330	330	
C			41" / 1041	45.5" / 1156	55" / 1400	65" / 1651	76" / 1930	
To Fit Waist			27-36"	31-41"	40-51"	51-60"	61-70"	
D			130	130	130	130	130	
E			540	540	540	540	540	



Note: All measurement are +/- 5%

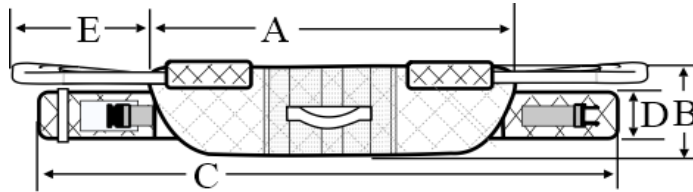
NB: This document is a guide only and shrinkage may occur during laundering processes. Specials / Made to measure variations of this and other sling designs for specialist patient needs will possibly vary from this guide.

Design Date: 01/04/2014

Signed: Len Foley Manager

MACKWORTH POPLAR - SIT TO STAND BELT

MATERIAL OPTIONS
QUILTING / SOLID

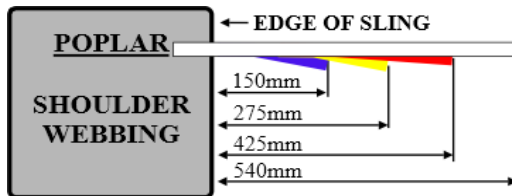


NOTES

* MEASUREMENTS ARE IN MILLIMETRE'S, FOR EASE OF USE BELT SIZE'S ARE ALSO IN INCHES

FINISHED SLING DIMENSIONS

	XXS	XS	S	M	L	XL	XXL	XXXL
A	630	730	830	930	1030	1130	1230	
B	160	160	160	160	160	160	160	
C	30 3/4 / 780	36" / 914	41" / 1041	45.5" / 1156	55" / 1400	65" / 1651	76" / 1930	
To Fit Waist	19-25"	24-30"	27-36"	31-41"	40-51"	51-60"	61-70"	
D	130	130	130	130	130	130	130	
E	540	540	540	540	540	540	540	



Note: All measurement are +/- 5%

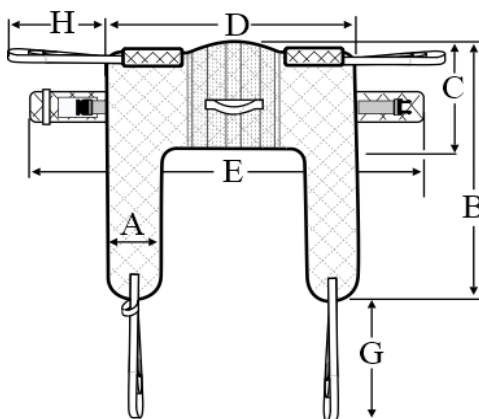
NB: This document is a guide only and shrinkage may occur during laundering processes. Specials / Made to measure variations of this and other sling designs for specialist patient needs will possibly vary from this guide.

Design Date: 01/04/2014

Signed: Len Foley Manager

MACKWORTH HOLLY- SIT TO STAND TRANSPORT

MATERIAL OPTIONS
SPACER / SOLID

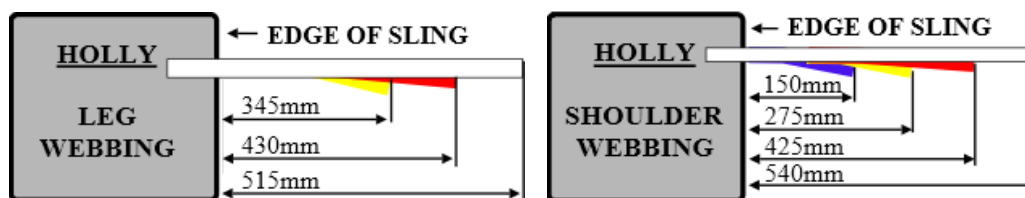


NOTES

- * MEASUREMENTS ARE IN MILLIMETRE'S, FOR EASE OF USE BELT SIZE'S ARE ALSO IN INCHES
- * MEASUREMENT "B" IS TAKEN FROM TOP CENTRE OF THE SLING TO THE END OF THE LEG
- * "A" IS MEASURED 100 MM FROM THE END OF THE LEG
- * "D" IS MEASURED ACROSS THE TOP OF THE SLING ON IT'S WIDEST PART

FINISHED SLING DIMENSIONS

	XXS	XS	S	M	L	XL	XXL	XXXL
A	145		175	170	205			
B	670		825	920	975			
C	270		320	330	330			
D	670		840	940	1030			
E	30 3/4 / 780	36" / 914	40.5" / 1030	45.5" / 1156	55" / 1400	65" / 1651	76" / 1920	
To Fit Waist	19-25"	24-30"	27-36"	31-41"	39-51"	51-60"	61-70"	
G	130	130	130	130	130	130	130	
H	540	540	540	540	540	540	540	



Note: All measurement are +/- 5%

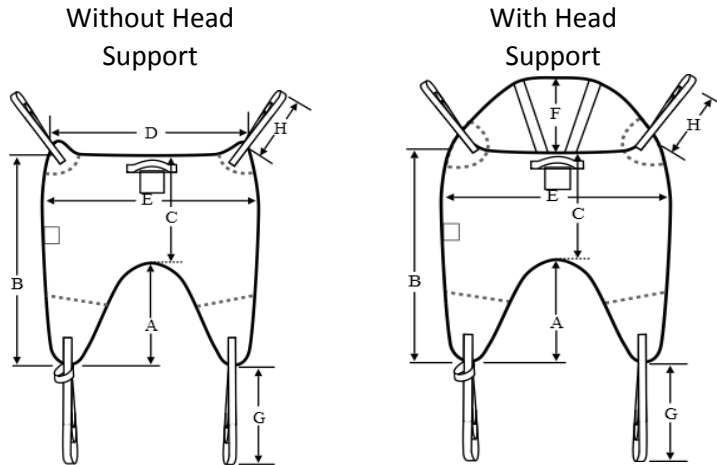
NB: This document is a guide only and shrinkage may occur during laundering processes. Specials / Made to measure variations of this and other sling designs for specialist patient needs will possibly vary from this guide.

Design Date: 01/04/2014

Signed: Len Foley Manager

MACKWORTH ELM - MULTI USE DISPOSABLE

MATERIAL OPTIONS
SANFORIZED COTTON

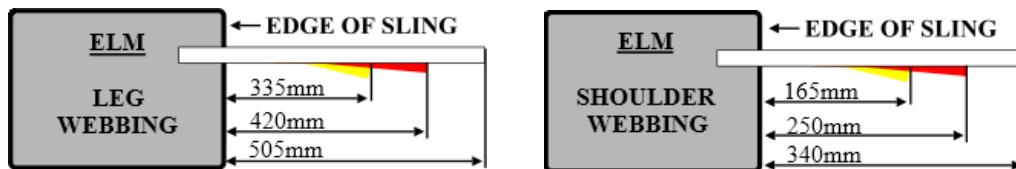


NOTES

- * MEASUREMENTS ARE IN MILLIMETRES
- * MEASUREMENT "B" IS A + C WITH THE SLING LAID FLAT, CENTRE SLING.
- * "D" IS MEASURED AT THE TOP EDGE OF THE WITHOUT HEAD SLING ONLY

FINISHED SLING DIMENSIONS

	XXS	XS	S	M	L	XL		
A	330	365	400	440	470	485		
B	780	860	930	990	1070	1080		
C	440	490	530	560	650	660		
D	530	630	730	830	870	850		
E	660	760	860	965	1060	1120		
F	275	275	360	360	360	355		
G	515	515	505	505	505	515		
H	350	330	340	340	340	350		



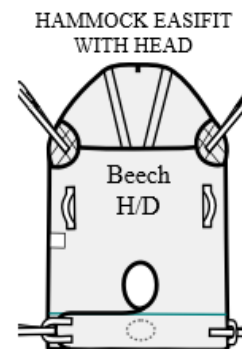
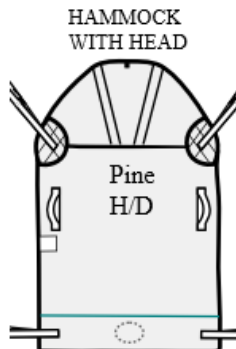
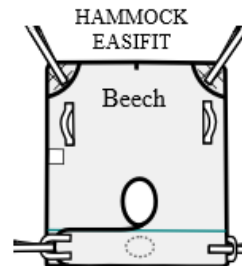
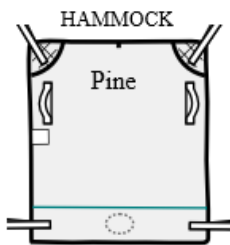
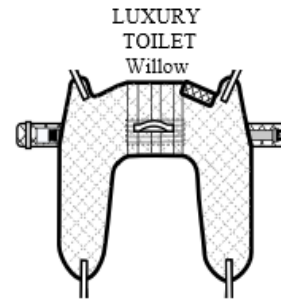
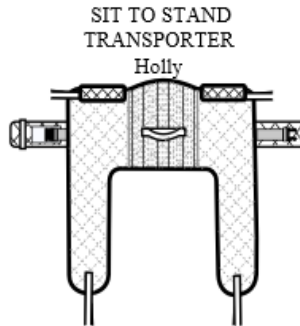
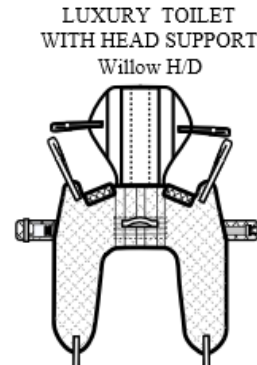
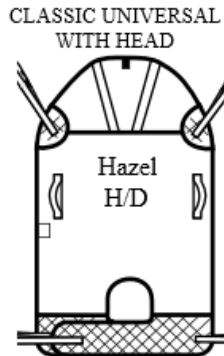
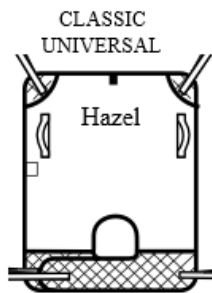
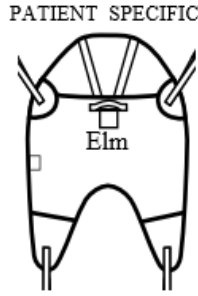
Note: All measurement are +/- 5%

NB: This document is a guide only and shrinkage may occur during laundering processes. Specials / Made to measure variations of this and other sling designs for specialist patient needs will possibly vary from this guide.

Design Date: 01/04/2014

Signed: Len Foley Manager

MACKWORTH HEATHCARE SLING RANGE



Sling Line Drawings JULY 2013